



App Exercycle Connect

Track, analyse and share your cycling workouts.



Console



Instantaneous values

The first screen displays instant exercise data.



Percentage values

The second screen shows percentages for the FTP test.



Average values

A third screen shows the average values for the current session.



Maximum values

The last screen offers the user the maximum values obtained during training.

EMS RESISTANCE SYSTEM

The electromagnetic resistance system (EMS) allows a very precise, progressive and immediate regulation of intensity.



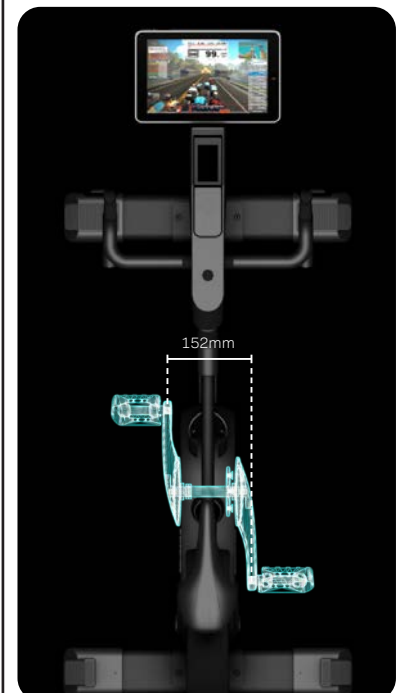
ADJUSTABLE CRANKS

Adjustable cranks allow for a length of 170, 172 and 175mm to suit the length of the user's leg for optimal pedaling..



Q FACTOR

The Exercycle has a Q factor of 152 which allows the position of the legs during pedalling to be the same as that of the road bike, while allowing the user to generate maximum force with each pedal stroke.



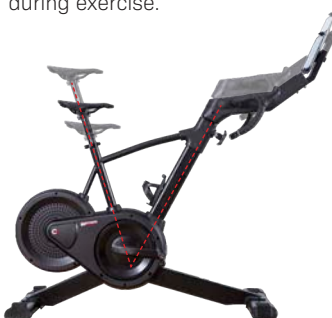
CONNECTIVITY

It has an FTP test to calculate the watt threshold, a 5KHz Polar telemetric pulse receiver and a Bluetooth FTMS module that enables full compatibility with leading cycling simulators.



GEOMETRY

The V-frame design allows the bike to fit sizes from S to XL, ensuring the highest degree of performance during exercise.



Length	140-144 cm	Handlebar width	42 cm
Width	61 cm	Q Factor	152 mm
Height	114-136 cm	Power adjustment	10 cm
Weight	48,6 Kg	Shifting	Electronic sequential shifting on levers and monitor
Flywheel	11 Kg EMS	Saddle	BH ergo-g ng afm cromo
Resistance System	Electromagnetic EMS	Pedals	Wellgo wpd 981 mixed
Connectivity	Compatible with iOS, Mac OS and Android Bluetooth FTMS	Interchangeable pedals	Yes
Compatible Apps		Interchangeable saddle	Yes
Transmission	Heavy duty belt with automatic tensioner	Transport wheels	Rollers
Gradient	0-25%	Max user weight	150 Kg
Maximum Watts	1500W real*	Use frequency	Intensive
Resistance levels	24	Tablet/mobile holder	Up to 12,9"

*Watts obtained in realistic developments.

Size and measurements

